

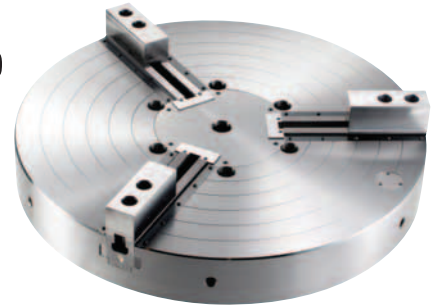


**CHUCK**

# Large Power Chuck for Vertical Lathes

## NV series

### Low maintenance Power Chuck for Vertical Lathes Sealed Base Jaw to prevent Swarf and Coolant ingress



- Protection against Swarf and Coolant Protector and Scraper at Base Jaw prevent Swarf and Coolant ingress.

- Standard Jaw NV series is compatible with standard Hard and Soft Jaws as sealing is at the Base Jaw.

\*CE correspondence

#### Dimensional Drawings

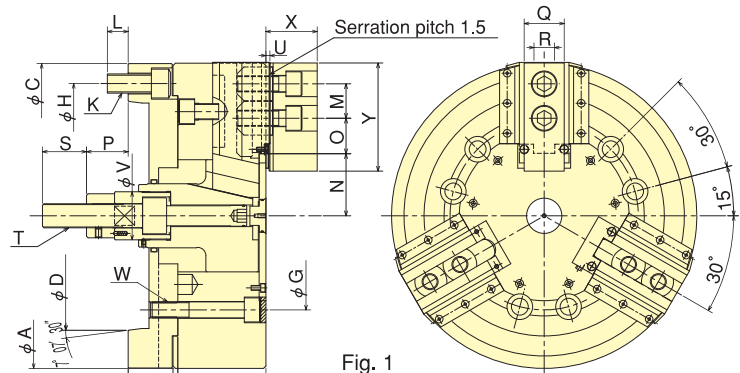


Fig. 1

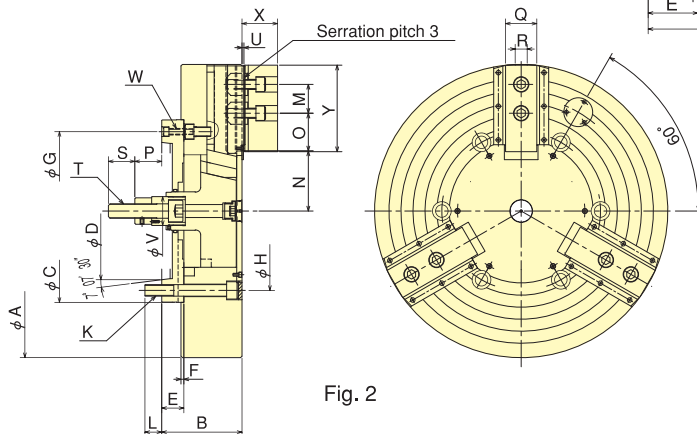
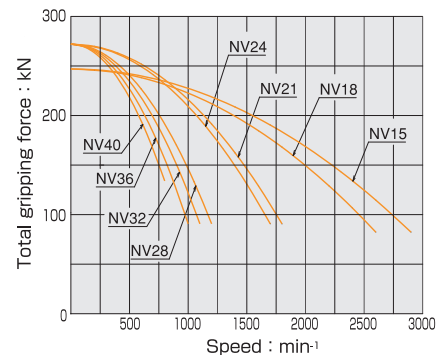


Fig. 2

#### Gripping Characteristic Graphs

※With standard blank soft top jaw.



#### Dimensions ※NV15&18 are based on Fig.1. NV21~40 are based on Fig.2.

Model	A	B	C	D	E	F	G	H	J	K	L	M	N max.	N min.	O max.	O min.	P max.	P min.	Q	R	S	T	U	V	W	X	Y
NV15C15	381	172	380	285.775	62	6	235.0	330.2	—	6-M24	26	43	77.5	69.5	48.75	23.25	91	56	50	25.5	55	M30	5	60	6-M20	64	135
NV18C15	450	172	380	285.775	62	6	235.0	330.2	—	6-M24	26	43	108.0	100.0	48.75	23.25	91	56	50	25.5	55	M30	5	60	6-M20	64	135
NV21C15	530	167	380	285.775	46	6	330.2	330.2	—	6-M24	35	60	86.0	78.0	93.50	27.50	91	56	65	25.0	55	M30	6	60	3-M12	74	180
NV24C15	610	167	380	285.775	46	6	330.2	330.2	—	6-M24	29	60	125.0	117.0	93.50	27.50	91	56	65	25.0	55	M30	6	60	3-M12	74	180
NV28C15	700	167	380	285.775	46	6	330.2	330.2	—	6-M24	29	60	125.0	117.0	141.50	27.50	91	56	65	25.0	55	M30	6	60	3-M12	74	180
NV32C15	800	167	380	285.775	46	6	330.2	330.2	—	6-M24	29	60	125.0	117.0	189.50	27.50	91	56	65	25.0	55	M30	6	60	3-M12	74	180
NV36C15	914	167	380	285.775	46	6	330.2	330.2	—	6-M24	29	60	125.0	117.0	249.50	27.50	91	56	65	25.0	55	M30	6	60	3-M12	74	180
NV40C15	1000	167	380	285.775	46	6	330.2	330.2	—	6-M24	29	60	125.0	117.0	282.50	27.50	91	56	65	25.0	55	M30	6	60	3-M12	74	180

※The above dimensions are for mounting back plate of 15-nose. The back plate of 11-nose can also be mounted.

#### Specifications

Model	Gripping range mm	Jaw Stroke (diameter) mm	Plunger Stroke mm	Max. Draw Bar Pull Force kN (kgf)	Max. Gripping Force kN (kgf)	Max. Speed min <sup>-1</sup>	Net Weight with Soft top jaws kg	Moment of inertia kg·m <sup>2</sup>	Matching Cylinder	Max. pressure MPa (kgf/cm <sup>2</sup> )	Matching Soft top jaw	Spindle nose size
NV15C15	381	72	16	35	82 (8362)	247 (25187)	2900	139	2.700	Y2035R	3.2 (32.6)	SB15N1 A <sub>2</sub> -15
NV18C15	450	133	16	35	82 (8362)	247 (25187)	2600	166	4.100	Y2035R	3.2 (32.6)	SB15N1 A <sub>2</sub> -15
NV21C15	530	62	16	35	82 (8362)	272 (27736)	1800	227	7.600	Y2035R	3.2 (32.6)	SB18A2 A <sub>2</sub> -15
NV24C15	610	152	16	35	82 (8362)	272 (27736)	1700	282	12.800	Y2035R	3.2 (32.6)	SB18A2 A <sub>2</sub> -15
NV28C15	700	152	16	35	82 (8362)	272 (27736)	1200	360	21.900	Y2035R	3.2 (32.6)	SB18A2 A <sub>2</sub> -15
NV32C15	800	152	16	35	82 (8362)	272 (27736)	1100	472	37.200	Y2035R	3.2 (32.6)	SB18A2 A <sub>2</sub> -15
NV36C15	914	152	16	35	82 (8362)	272 (27736)	1000	594	62.400	Y2035R	3.2 (32.6)	SB18A2 A <sub>2</sub> -15
NV40C15	1000	152	16	35	82 (8362)	272 (27736)	800	738	91.500	Y2035R	3.2 (32.6)	SB18A2 A <sub>2</sub> -15

※The above specifications are for mounting back plate of 15-nose. The back plate of 11-nose can also be mounted.