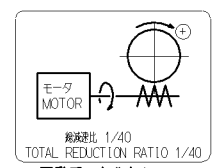
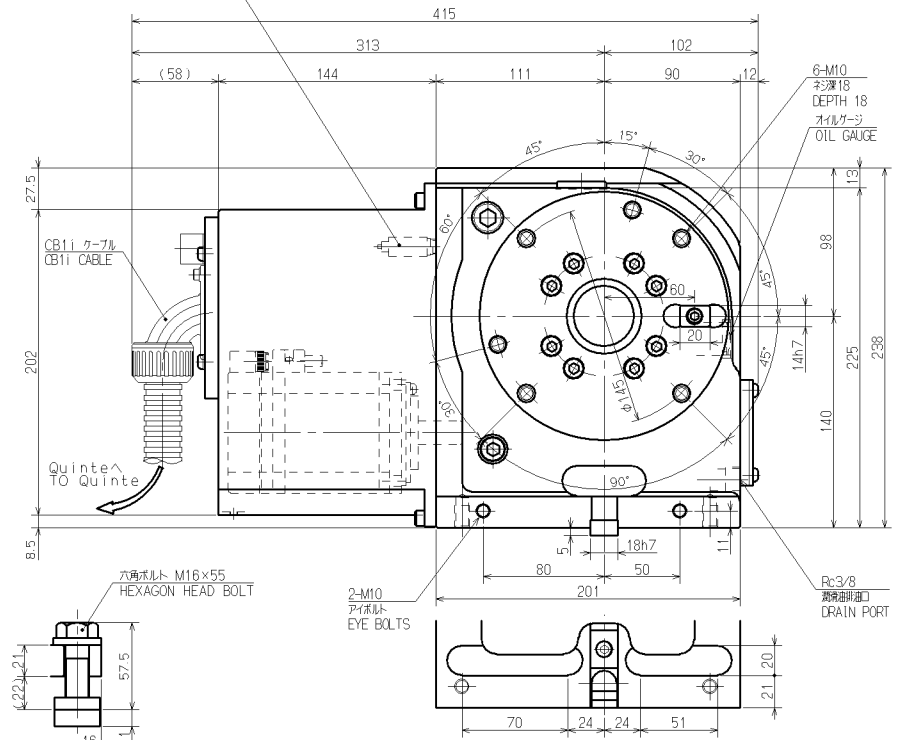
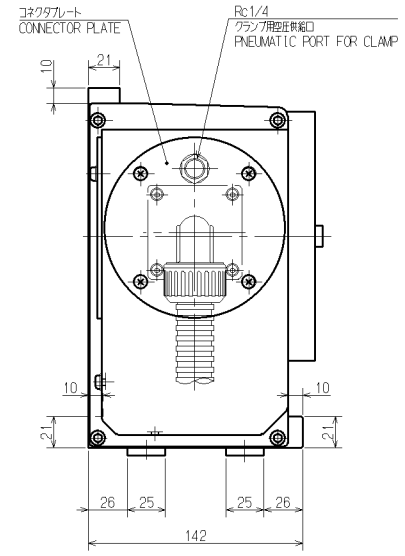
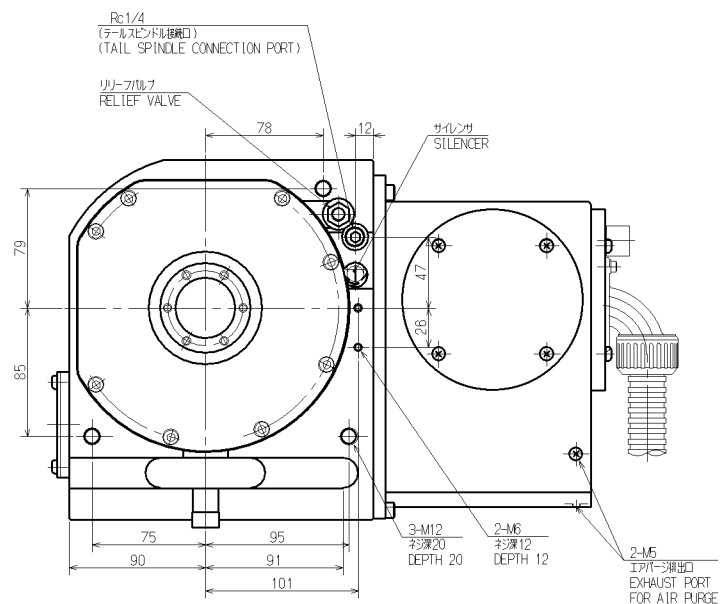
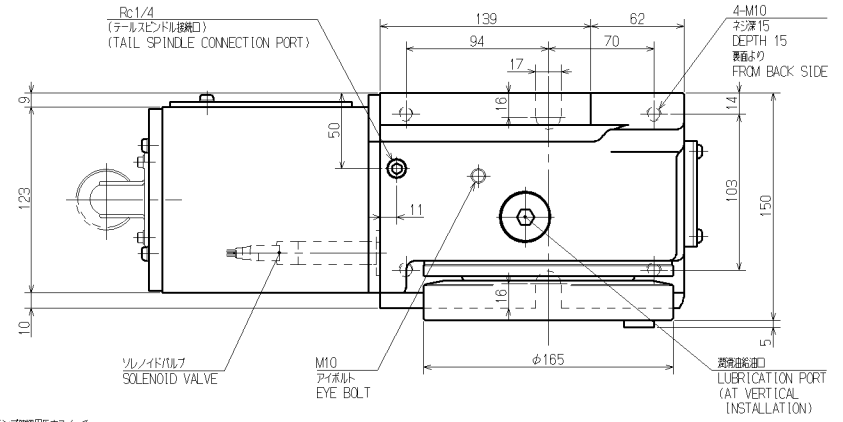
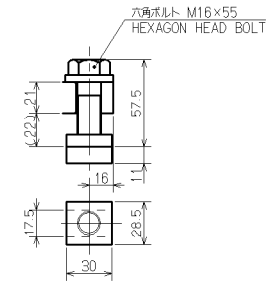


スピンドル穴
SPINDLE THRU-HOLE

(手前側)クラップ確認用圧力スイッチ
(奥側側)アークラップ確認用圧力スイッチ
PRESSURE SWITCH FOR CLAMP DETECTION ON THIS SIDE
PRESSURE SWITCH FOR UNCLAMP DETECTION ON BACK SIDE



駆動系スケルトン
SKELTON DRAWING
OF DRIVE SYSTEM



クラップ器具 付属品 2組
CLAMPING PARTS ACCESSORY 2 PAIR

CAREER			SCALE	TYPE	MX160LAV00	WEIGHT	k8
MANAGER	CHIEF	DRAWN BY	3RD ANGLE	NAME			
KITAGAWA IRON WORKS CO.,LTD.		DATE		DRW NO.	DHP-MX160LAV00		