



CHUCK

2-Jaw Lever Style Power Chuck BLT200 series

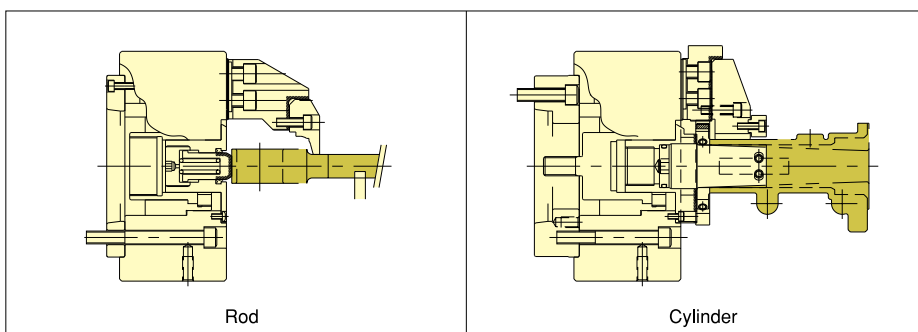
Extra Long Jaw Stroke for gripping Irregular shaped components
Flange work securely gripped

* CE correspondence

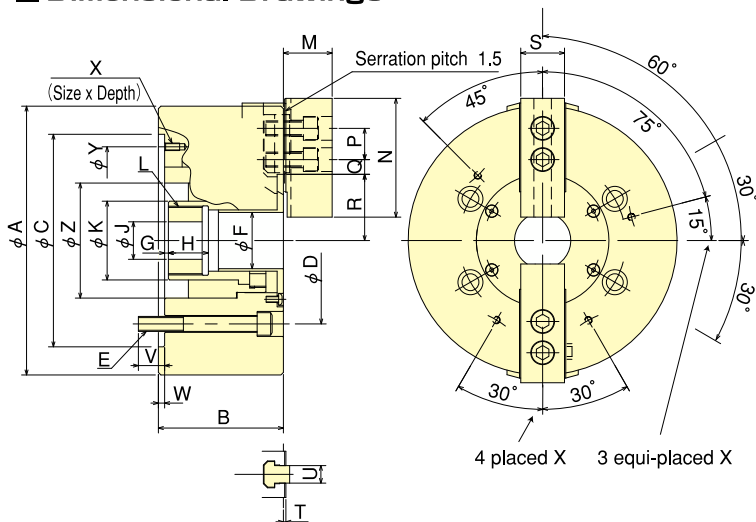


Standard Chuck

Gripping Examples

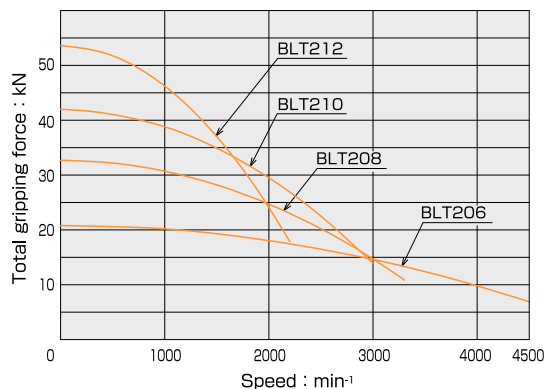


Dimensional Drawings



Gripping Characteristic Graphs

*With standard blank soft top jaw.



Dimensions

*Blank draw nut equipped.

Model	A	B	C (H6)	D	E	F	G max.	G min.	H	J	K	L max.	M	N	P	Q max.	Q min.	R max.	R min.	S	T	U	V	W	X	Y	Z
BLT206	165	87	140	104.8	4-M10	28	10	-5	24	20	45	M38×1.5	29	66	20	16.75	9.25	39.25	29.25	26	2	12	16	5	4-M6×12	116	70
BLT208	215	100	170	133.4	4-M12	45	3	-16	32	30	63	M55×2.0	39	95	25	21	12	53	40.5	35	2	14	21	5	3-M6×12	150	92
BLT210	254	117	220	171.4	4-M16	53	-6	-28	40	45	73	M65×2.0	43	110	30	26.5	11.5	62.5	47.5	40	2	16	27	5	3-M8×16	190	102
BLT212	304	138	220	171.4	4-M16	63	8.2	-16.8	38	50	83	M75×2.0	52	111	30	38.25	12.75	74.5	57	50	3	21	23	5	3-M8×16	190	120

Specifications

Model	Thru-Hole mm	Gripping range mm Max. Min.	Jaw Stroke (diameter) mm	Plunger Stroke mm	Max. Draw Bar Pull Force kN (kgf)	Max. Gripping Force kN (kgf)	Max. Speed min⁻¹	Net Weight kg	Moment of inertia kg·m²	Matching Cylinder	Max. pressure MPa(kgf/cm²)	Matching Hard top jaw	Matching Soft top jaw
BLT206	28	165 28	20	15	18.6 (1897)	20.8 (2121)	4500	13.5	0.042	S1246	2.36 (24.1)	HB06B1	SB06L1T
BLT208	45	215 32	25	19	27.4 (2794)	32.7 (3334)	3300	24.0	0.193	S1552	2.08 (21.2)	HB08A1	SB08A1T
BLT210	53	254 42	30	22	35.9 (3661)	42.0 (4283)	3000	43.5	0.290	S1875	2.20 (22.4)	HB10A1	SB10A1T
BLT212	63	304 43	35	25	46.2 (4711)	53.6 (5465)	2200	75.5	0.903	S2091	2.22 (22.6)	HB12N1	SB12N1T

*Altering Back Plate enables to change over 3-Jaw Chuck into 2-Jaw Chuck.